

Electric Meat Tenderizer & Strip Cutter Equipment

ITEM: 47709
MODEL: MT-IT-370



Innovative and powerful

Upgrade your culinary experience with this innovative meat tenderizer and cutter. This powerful motorized machine provides a seamless preparation process. Perfect for a variety of establishments including bistros, restaurants and catering.

FEATURES:

- Stainless-steel construction is corrosion resistant providing durability and appliance longevity
- The portable and user-friendly design is perfect for any countertop, allowing for simple operation
- Convertible safety cover made of transparent material is removable for cleaning
- Built-in Interlock for automatic shut-off to prevent hazardous machine
- Non-drip feet on the machine ensure stability on various surfaces, preventing tilt and hazardous situations
- Waterproof ON/OFF switch

Tenderizing blade or strip cutter required for the machine.

1-833-487-3686

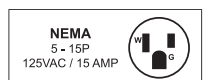
www.trentoequipment.com

sales@trentoequipment.com

Follow us on social media
[@trentoequipment](#)



Authorized Dealer



Optional Accessories (Sold Separately)

Item	Description
47710	Stainless Steel 96-Blade Tenderizer Cradle
47856	0.38" (10 mm) Fajita Meat Strip Cutter Cradle with 48 Blades
47857	0.62" (15 mm) Fajita Meat Strip Cutter Cradle with 32 Blades

#47710



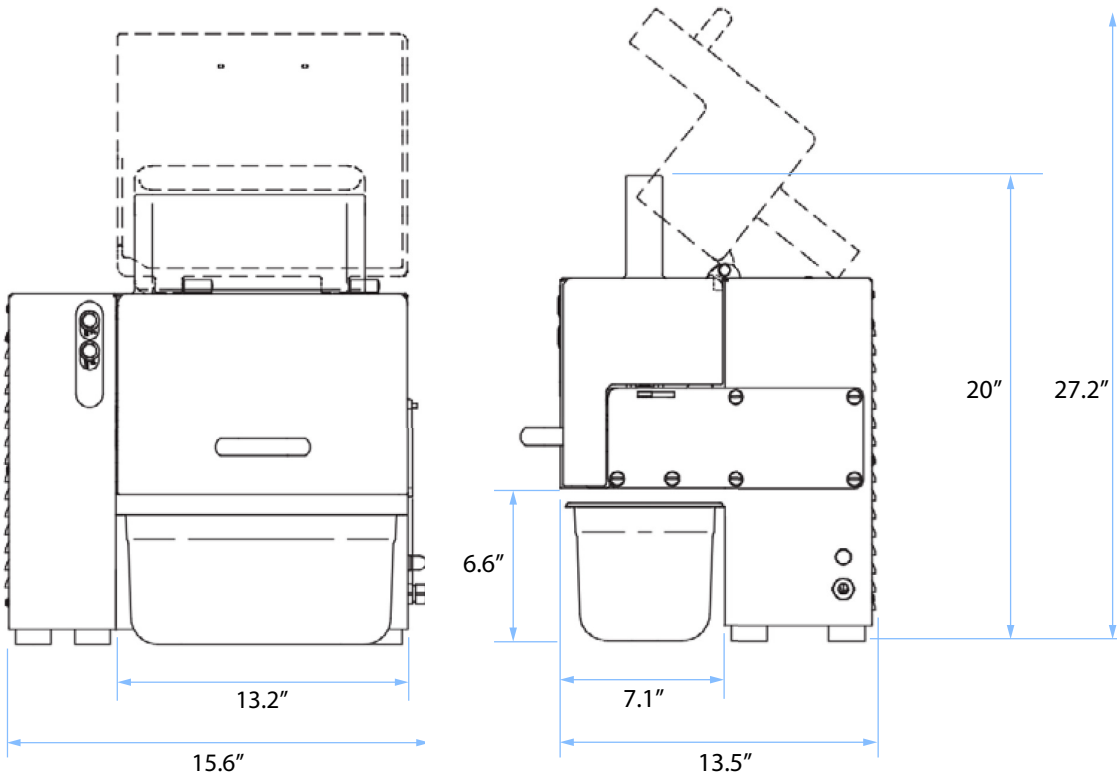
#47856/47857



Technical Specification

Item	47709
Model	MT-IT-370
Body Material	Stainless Steel
RPM	110
Power	370 W / 0.5 hp
Amps	6.4 A
Electrical	120V / 60Hz / 1Ph
Feed Opening Dimensions	10" x 1.18" (254 x 30 mm)
Net Weight	77 lb. (35 kg.)
Net Dimensions (WDH)	18" x 13.5" x 20" (457 x 342 x 508 mm)
Gross Weight	99 lb. (45 kg.)
Gross Dimensions (WDH)	29" x 23" x 31" (736 x 584 x 787 mm)
Plug Type	NEMA 5 - 15P

Technical Drawings and Dimensions



Tenderizing blade or strip cutter required for the machine.

